

DN010 Downlight



220V
240V

50Hz
60Hz



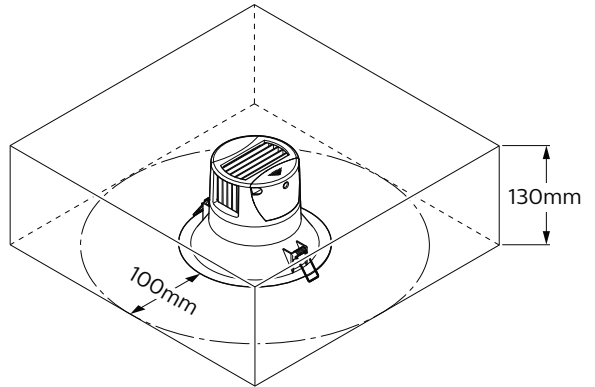
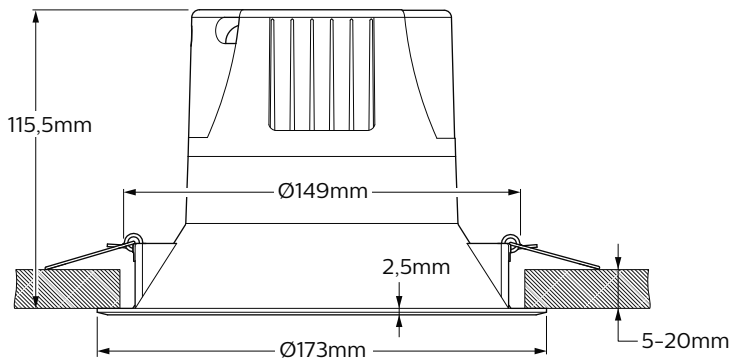
IP20

Ta
40°C

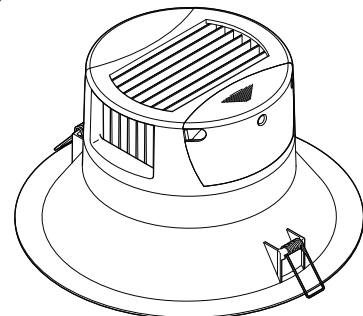
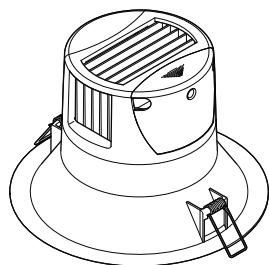
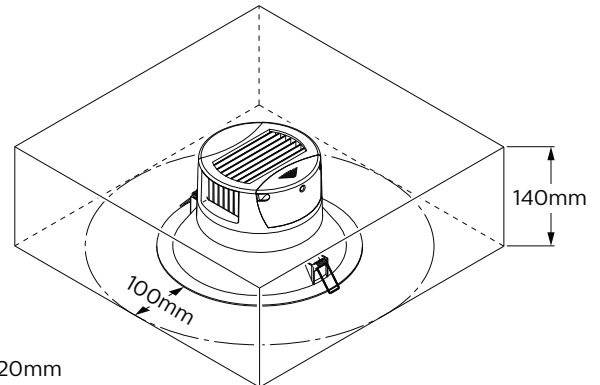
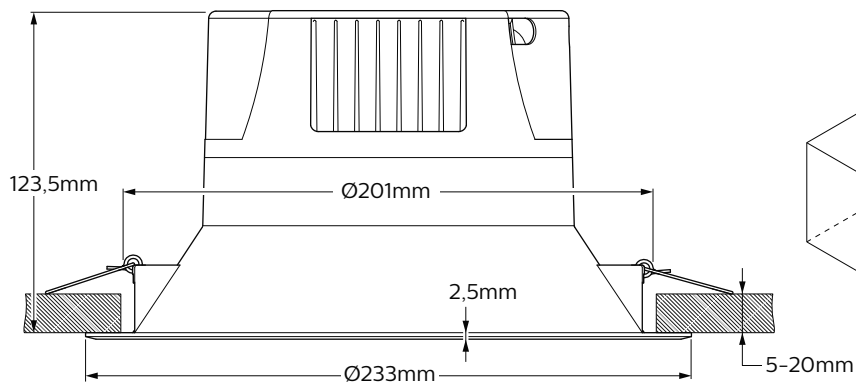


	LEDs	Output (lm)	P(W)	Ø mm	kg
LEDINAIRE DN010 LED 10S	10x	1000	14,5	150-155	0,358
LEDINAIRE DN010 LED 20S	19x	2000	24	201-205	0,595

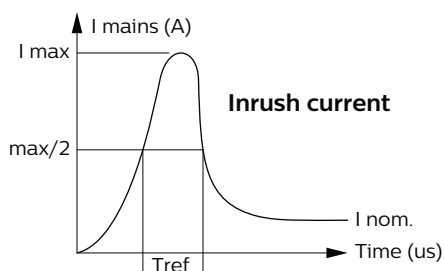
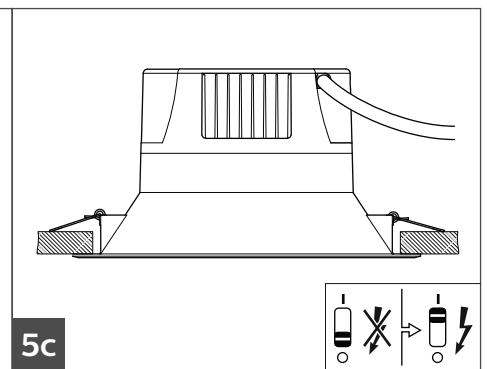
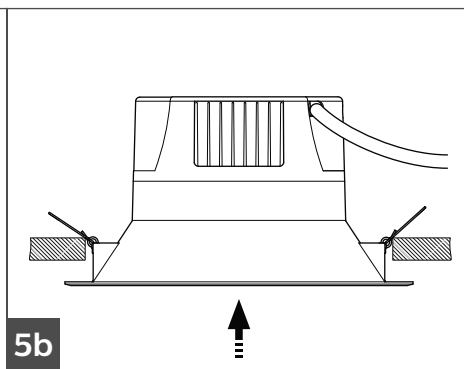
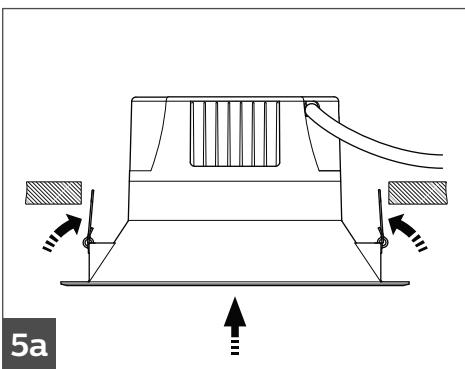
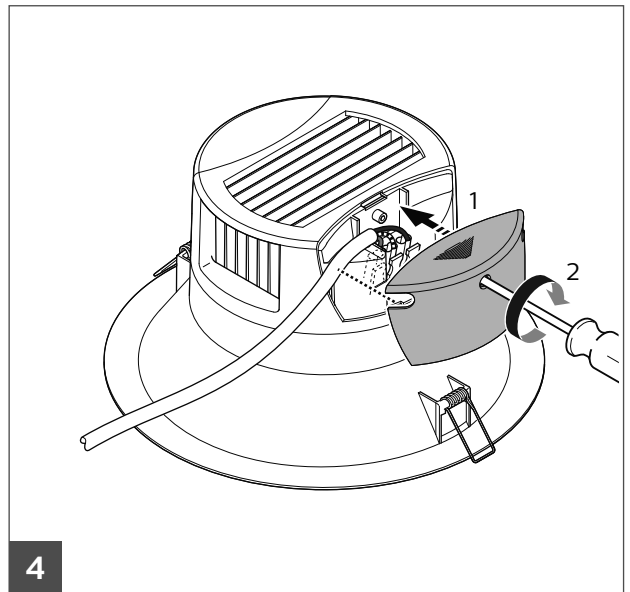
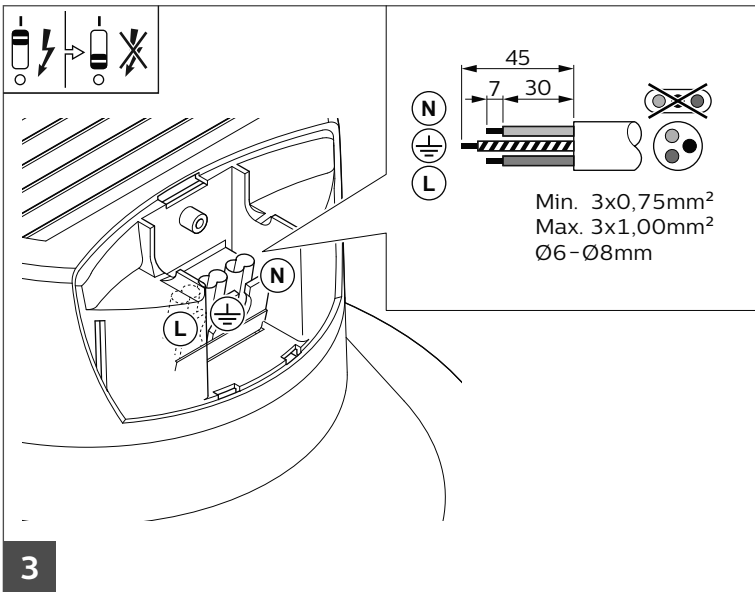
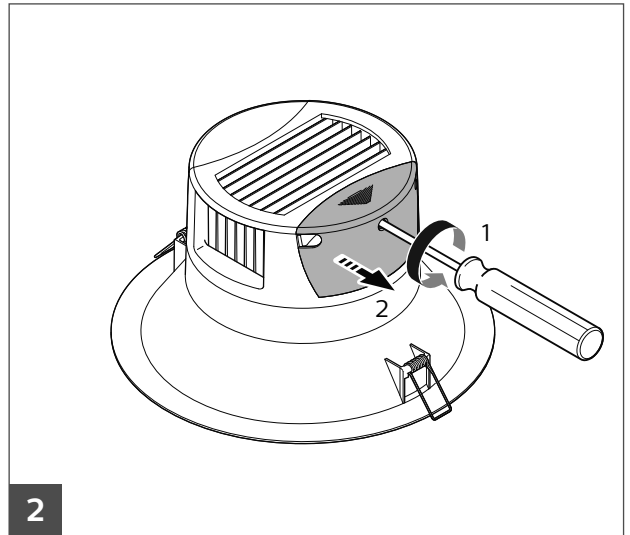
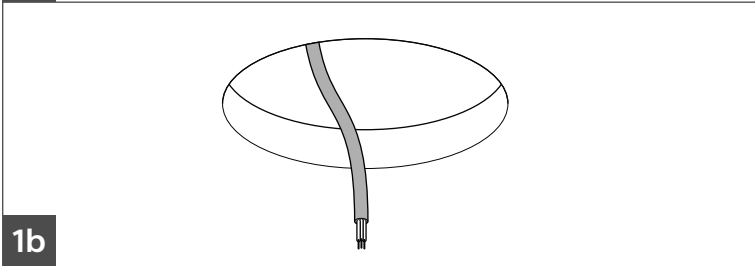
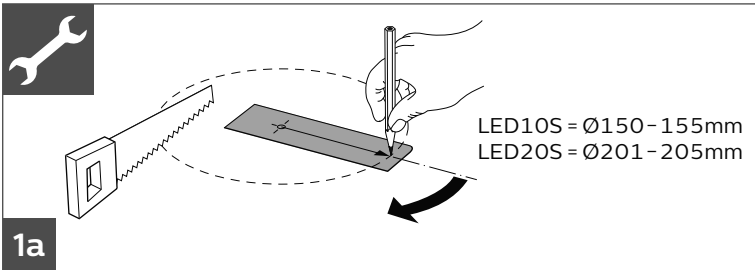
LED10S



LED20S



- The luminaire shall be installed by a qualified electrician and wired in accordance with the latest IEE electrical regulations or the national requirements.
- Only to be installed outside arms reach as recessed ceiling luminaire.



	LED10S	LED20S
	Electrical characteristics	
I _{nom} (A)	0.07	0.11
I _{max} (A)	3.60	4.30
T _{ref} (µs)	35	41
MCB	Luminaire Max.	
B-10A	40	40
B-13A	40	40
C-16A	40	40
C-10A	40	40
C-13A	40	40
C-16A	40	40